



**WALCOOM**

Walcoom Corporation



**RAZOR WIRE**

[www.walcoom.com](http://www.walcoom.com)

## "Total solution provider for perimeter protection"

For over 20 years, Walcoom Corporation has been providing professional razor wire solutions to perimeter protection. We've helped thousands of businesses source quality razor wire manufacturers and also won the competitive advantage in the industry. Be assured that our dynamic team is always moving forward, researching, and seeking to provide you with only the best.



**Razor wire**, also known as barbed tape, is a central strand of high tensile core wire and a punched steel tape with sharp barbs at close intervals uniformly. The razor tape is cold crimped tightly onto the spring steel core, and finally into rolls for easy transport and deployment. For long-lasting protection in various high security applications, razor wire could be fabricated from galvanized or stainless steel wire that is corrosion resistant.

Compared with traditional barbed wire for low security applications, razor wire is an ideal alternative when added psychological deterrent is desired. It is commonly used to increase the security level of fenced sites such as prisons, residential, commercial, airports, military bases, government agencies, borders and other perimeter barriers.

### Features

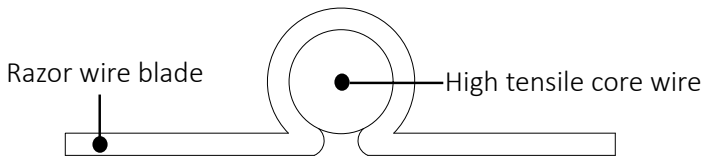
- Modern and economical way as perimeter barriers against illegal invasion to restricted areas.
- Attractive design in harmony with natural beauty.
- A variety of sharp blades provide high level of deterrence to intruders.
- Corrosion and abrasion resistance for long service life.
- Enclosed high tensile core wire makes it difficult to cut with standard tools.
- Provides much better security compared with traditional barbed wire.
- It works as wall topping or standalone fence.
- Easy installation and low maintenance.
- Various dimensions for choice and bespoke ones are also available.

**Material** Stainless steel (304, 304L, 316, 316L, 430), carbon steel.

## Surface treatment

Galvanized, PVC coated (green, orange, blue, yellow, etc.), E-coating (electrophoretic coating), powder coating.

## Dimensions



**Razor Wire Cross Section**

Standard wire diameter: 2.5 mm ( $\pm 0.10$  mm).  
 Standard blade thickness: 0.5 mm ( $\pm 0.10$  mm).  
 Tensile strength: 1400–1600 MPa.  
 Zinc coating: 90 gsm – 275 gsm.  
 Coil diameter range: 300 mm – 1500 mm.  
 Loops per coil: 30–80.  
 Stretch length range: 4 m – 15 m.

Code	Blade profiles	Blade thickness	Core wire dia.	Blade length	Blade width	Blade space
BTO-10		0.5 $\pm$ 0.05	2.5 $\pm$ 0.1	10 $\pm$ 1	13 $\pm$ 1	26 $\pm$ 1
BTO-12		0.5 $\pm$ 0.05	2.5 $\pm$ 0.1	12 $\pm$ 1	15 $\pm$ 1	26 $\pm$ 1
BTO-18		0.5 $\pm$ 0.05	2.5 $\pm$ 0.1	18 $\pm$ 1	15 $\pm$ 1	33 $\pm$ 1
BTO-22		0.5 $\pm$ 0.05	2.5 $\pm$ 0.1	22 $\pm$ 1	15 $\pm$ 1	34 $\pm$ 1
BTO-28		0.5 $\pm$ 0.05	2.5	28	15	45 $\pm$ 1
BTO-30		0.5 $\pm$ 0.05	2.5	30	18	45 $\pm$ 1
CBT-60		0.6 $\pm$ 0.05	2.5 $\pm$ 0.1	60 $\pm$ 2	32 $\pm$ 1	100 $\pm$ 2
CBT-65		0.6 $\pm$ 0.05	2.5 $\pm$ 0.1	65 $\pm$ 2	21 $\pm$ 1	100 $\pm$ 2

(unit: mm)

## Razor wire is available in four combinations:

- Galvanized wire with galvanized blades
- Zinc-aluminium wire with Zinc-aluminium blades
- Galvanized wire with stainless steel blades
- Stainless steel wire with stainless steel blades

## Razor wire classification by different formats:

- Spiral razor wire (Helical style)
- Concertina razor wire (Concertina style)
- Line formed razor wire
- Flat wrap razor wire
- Razor mesh

## Applications

Razor wire provides perimeter solutions to restricted areas' security mainly in commercial, industrial, residential, governmental and other fields that needs higher level of protection.



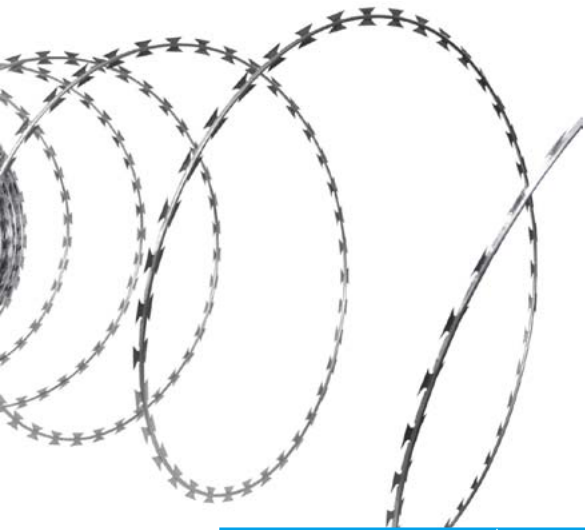
- Airport
- Border
- Prison



- Residential area
- Marine
- Railway barrier



- Government agency
- Industrial area
- Garden



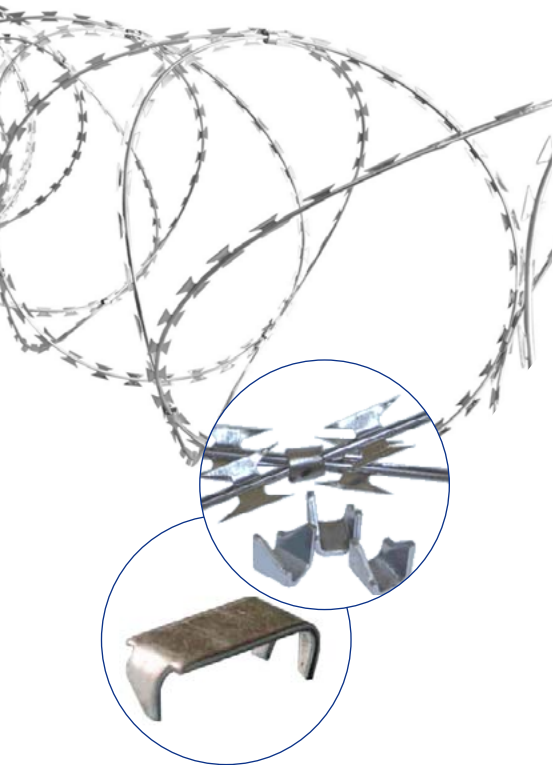
## Spiral Razor Wire

**No clips required to form temporary or permanent barrier**

Spiral razor wire is the simplest pattern in a barbed tape coil where there are no clips binding adjacent loops and each coil loop is left free in its natural spiral. Spiral razor wire can also be used as straight runner wire when stretched totally.

Diameter (mm)	Loops per coil	Clips	Recommended stretch length (m)
200	33	-	6
300	33	-	10
450	33	-	15
600	33	-	15
750	33	-	15
900	33	-	15

*\* Note: custom dimensions are also available.*



## Concertina Razor Wire

**Denser profile for high level of security applications**

Concertina razor wire is fabricated by attaching adjacent loops of helical coils to one another at specified points on the circumference, forming an accordion-like configuration. In this way, there are no gaps of sufficient size for persons to squeeze through. It provides unrivaled security and is widely used in applications such as border barriers and military bases.

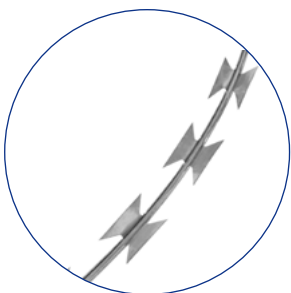
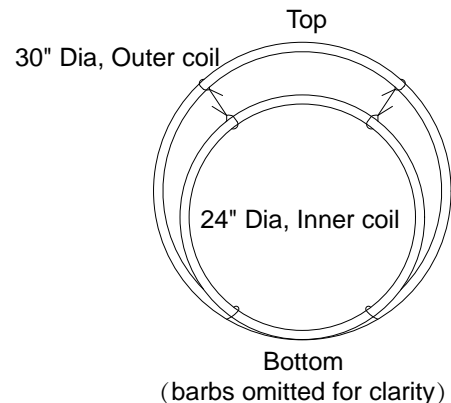
Heavy duty clips that bind the razor wire into its shape are unique feature of concertina razor wire products, as a weak clip will part, providing an easy access for the intruder. These two kinds of clips, however, cannot be parted by hand or ordinary tools. Made of galvanized steel, the clips are weather- and water-resistant, and highly effective and durable.

Coil diameter (mm)	Spiral turns per coil	Clips per coil	Recommended stretch length (m)
300	33	3	4
450	54	3	8 – 10
610	54	3	10 – 12
730	54	3	15 – 20
730	54	5	10 – 12
800	55/56	5	11 – 13
900	56	5	13 – 15
980	55/56	5	10 – 15
980	55/56	7	5 – 8
1250	55/56	7	4 – 6
1500	55/56	9	4 – 6

\* **Note:** custom dimensions are also available.

## Double Coils

Double coils are manufactured where one smaller diameter razor wire coil is inserted inside a bigger diameter coil. The design ensures longer breaking time for would-be intruders. Available for selected sizes of both spiral and concertina styles.



## Line Formed Razor Wire

### **The least deterrent obstacle with simple and easy installation**

The peculiarity of the line formed razor wire is that it's not carried in a coil, or expands like an accordion, but expands or twists linearly. It can be applied on the regular or Y shaped posts without any clips. Usually three or more lines are needed for high security applications.



## Flat Wrap Razor Wire

### **Compact design reduces boundary overhang**

Flat wrap razor wire, as its name suggests, is fabricated by using single strand razor wire which is then clipped to create flat sheet in vertical direction. The flat wrap coil can be used to upgrade any existing fence or brick wall, which is an ideal alternative to common concertina razor wire where high security is required but with space restriction. Due to its flat profile, it doesn't overhang into neighboring property and harm any innocent bystanders. Available in coil diameters from 450 mm to 1000 mm with BTO-10, BTO-22 and BTO-30 blade forms.

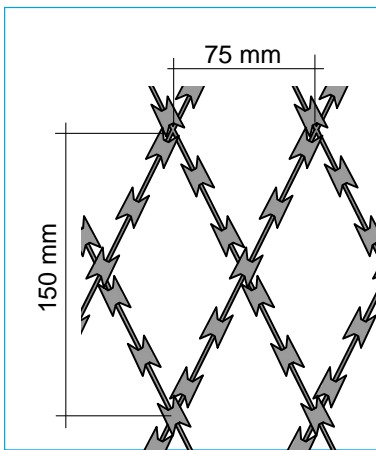
## Razor mesh

### **Versatile security fencing screen with neat appearance**

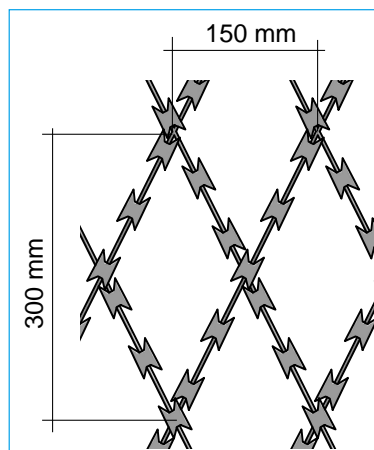
Razor mesh is one of the security fencing products that can be used to protect industrial, commercial and government institutions. The typical feature of razor mesh is that it's a complete security fence requiring no additional top options when installed. With high tensile steel reinforced core for maximum strength and diamond or rectangular mesh pattern combined, razor mesh has been a formidable deterrent to unwanted intruders.



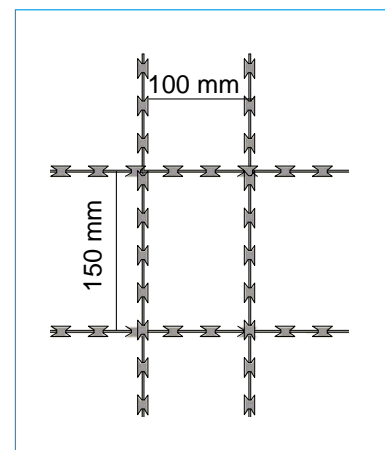
- Razor mesh type



High density (75 × 150 mm)



Low density (150 × 300 mm)



Rectangular mesh (100 × 150 mm)

- Panel size: 1.2 m × 6 m, 1.8 m × 6 m, 2.1 m × 6 m, 2.4 m × 6 m.
- Standard blade type: BTO-22, BTO-30.

## Installation

There are several ways of razor wire installation. It can be installed onto the existing fence systems such as welded mesh fence, chain link fence, palisade and ornamental fencing, or on top of the brick/concrete wall. To meet the needs of some applications, it can also be installed on the ground along the perimeter. According to different operating environment, specially designed brackets should be used to support the razor wire fence.

Razor wire should be installed by trained and experienced workers with strong sense of responsibility, in addition, protective equipment such as puncture resistant gloves and sleeves are essential when installing razor wire. Failure of installation or misuse may cause serious injury.

**Note:** Razor wire installation refers to ASTM F1911-05 Standard Practice for Installation of Barbed Tape.



## Accessories

Razor wire is easy to install, which means it does not need much labor work, but it requires several accessories to ensure safety and smooth installation.



### ● Gloves

Gloves for hand and wrist protection, which are cut, puncture and abrasion resistant. They are specifically designed for handling barbed tape products. Sleeves for lower and upper arm protection are also required for further protection.



### ● Wire ties

Twistable ties are used to secure the barbed tape at the tie point in anchoring installations.

### ● Wire tie twist tool

Used to twist wire ties in fence anchored installations.

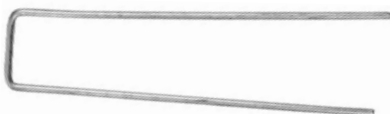


### ● Hog rings

Hog rings for connecting the razor wire to the fence in the fence anchored installations.

### ● Hog ring pliers

Used to compress hog rings in fence anchored installations.



### ● Ground hooks

Durable ground hooks for securing concertina coils firmly into ground.



### ● Warning signs

To alert unsuspecting persons to the potential danger. We recommend that the warning sign be fixed at 10 m intervals along the running length of the fence.



## Choosing razor wire

Several points should be noted before choosing the suitable razor wire for your applications.

- Material.
- Blade type.
- Blade thickness.
- Diameter of core wire.
- Number of loops per coil.



# RAZOR WIRE

Walcoom Corporation



Add: No. 3481, Yongxing Road, Hengshui City, Hebei Province, China.

Tel: +86-15030811699

Skype: wiremesh@live.com

E-mail: sales@walcoom.com

Web: <http://www.walcoom.com>

